



Steam Conditioning Valve type DZE (Turbine Bypass Valve)

200 MW / 300 MW / 600 MW / 750 MW / 1000 MW

- High-pressure valve with safety function
- DN 80 - 400 inlet, 250 - 1500 outlet
- PN 20 - 630
- Steam atomised spraywater
- Water injection up to 30% of steam
- Flow to open plug
- Downstream injection
- Short mixing and evaporation path
- Low water temp. acceptable
- Low spraywater pressure required

Nominal Size: 25 / 1" – 800 / 32"
other sizes on request

Rating: PN 20 – 630 / Class 150 - 4500

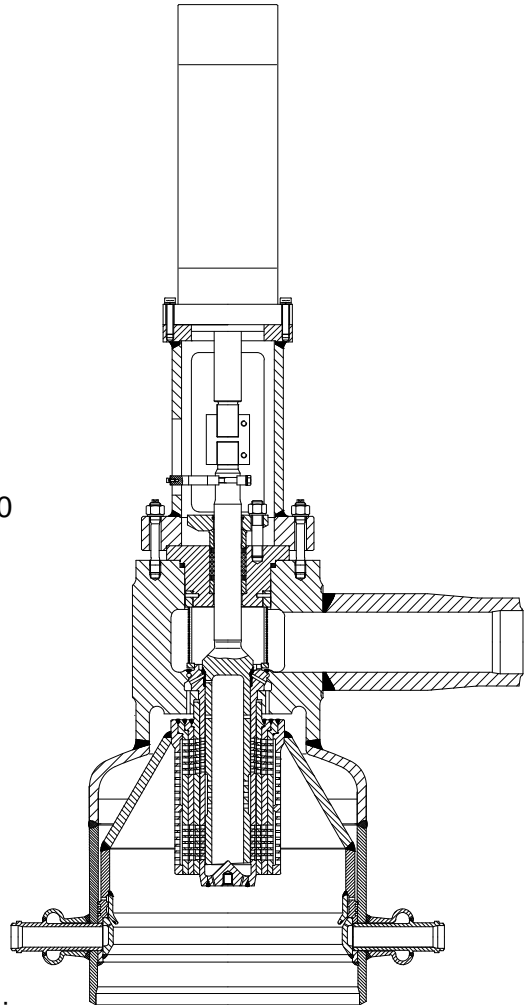
Control Range: 1:25, 1:30, 1:50
according to specifications

Control characteristic: linear or equal
percentage linear

Design: forged steel-welding
construction,
angle form, z-type

Connections: welding ends, flanges

Actuators: hydraulic, pneumatic,
electric, according to specifications



All materials according to DIN or ANSI / ASTM. For the main parts of our valves we use standard material as listed below or according to our customer specifications.

Material acc. to DIN	Description acc. to DIN	Material ASTM/AISI/ASME
1.0460	C22.8	ASTM A105
1.4541	X6CrNiTi18-10	SUS 321
1.4571	X6CrNiMoTi17-12-2	SUS 316Ti
1.4903	X10CrMoVNb9-1	ASTM A182 F91
1.4922	X20CrMoV12-1	
1.5415	16Mo3	ASTM A182 F1
1.7335	13CrMo4-5	ASTM A182 F12
1.7380	10CrMo9-10	ASTM A182 F22