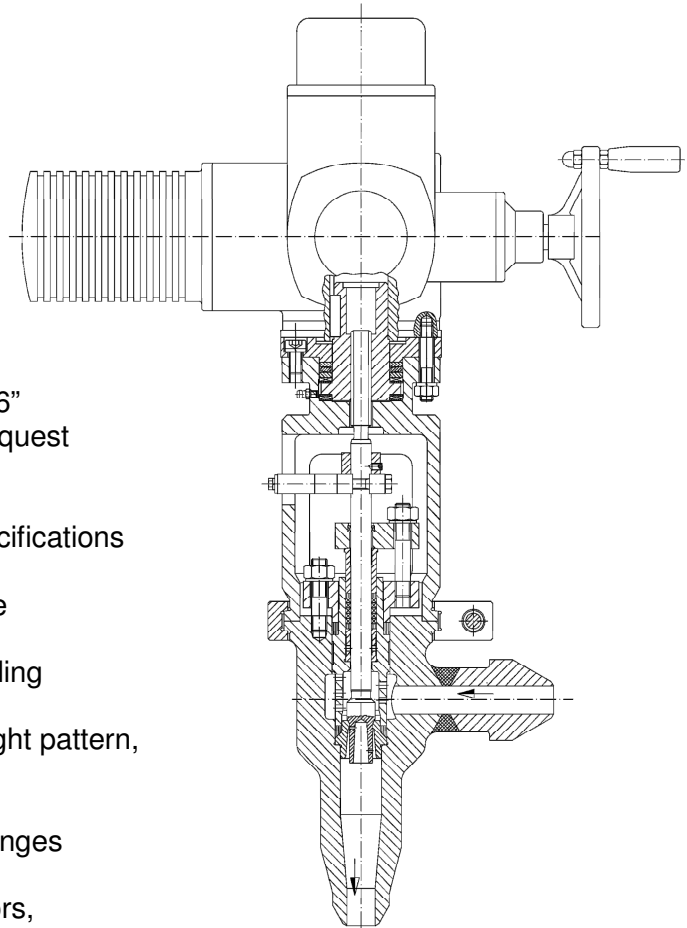




Spraywater Control Valve type ESV

200 MW / 300 MW / 600 MW / 750 MW / 1000 MW

- High-pressure valve
- DN 15 - 150
- Flow to close plug
- Perforated plug
- Parabolic plug
- Low actuating force
- Low maintenance efforts



DN: 15 / 1/2" – 150 / 6"
other sizes on request

Control Range: 1:25, 1:30, 1:50
according to specifications

Control characteristic: equal percentage

Design: forged steel-welding
construction,
angle form, straight pattern,
z-type

Connections: welding ends, flanges

Actuators: hydraulic actuators,
pneumatic actuators,
electric actuators
according to specifications

All materials according to DIN or ANSI / ASTM. For the main parts of our valves we use standard material as listed below or according to our customer specifications.

Standard materials

Forged material:	1.0460	1.4903	1.4922	1.5415
	1.7335	1.7380		

Material according to specification!