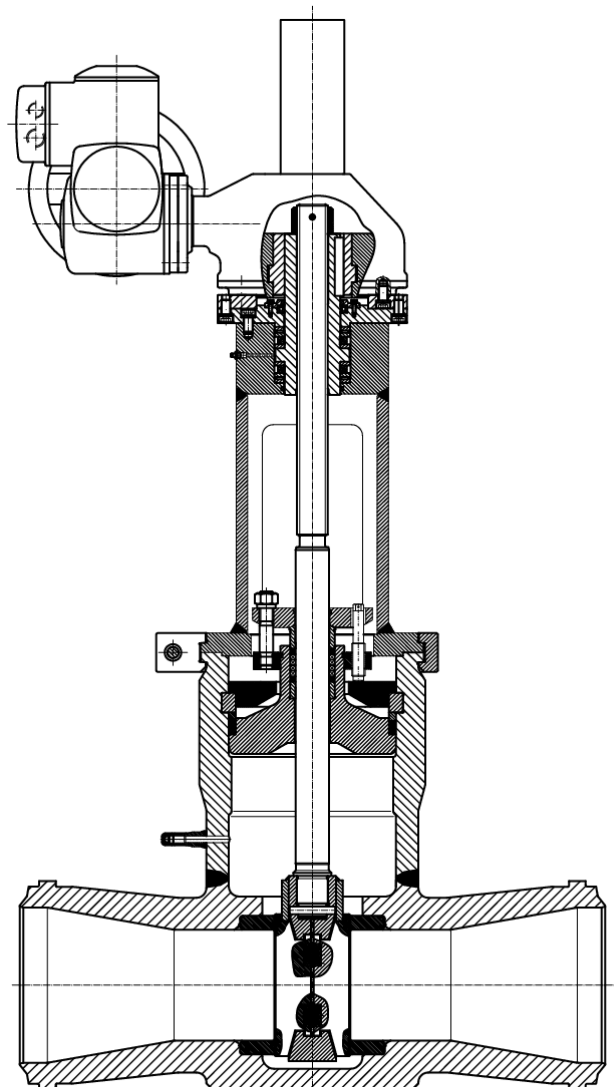


Parallel Slides Gate Valve type P

200 MW / 300 MW / 600 MW / 750 MW / 1000 MW

- High-pressure valve
- DN 80 – 800
- PN 150 - 500
- Parallel slides
- High steam temp. acceptable
- High water temp. acceptable
- Bypass on request



DN:	80 / 3" – 800 / 32" other sizes as requested
PN:	150 – 500
Control Range:	- according to specifications
Control characteristic:	on / off
Design:	forged steel-welding construction, straight pattern
Connections:	welding ends, flanges
Actuators:	hydraulic actuators, electric actuators, manual operated according to specifications

All materials according to DIN or ANSI / ASTM. For the main parts of our valves we use standard material as listed below or according to our customer specifications.

Standard materials

Forged material:	1.0460	1.4903	1.4541	1.4571
	1.4922	1.5415	1.7335	1.7380

Material according to specification!