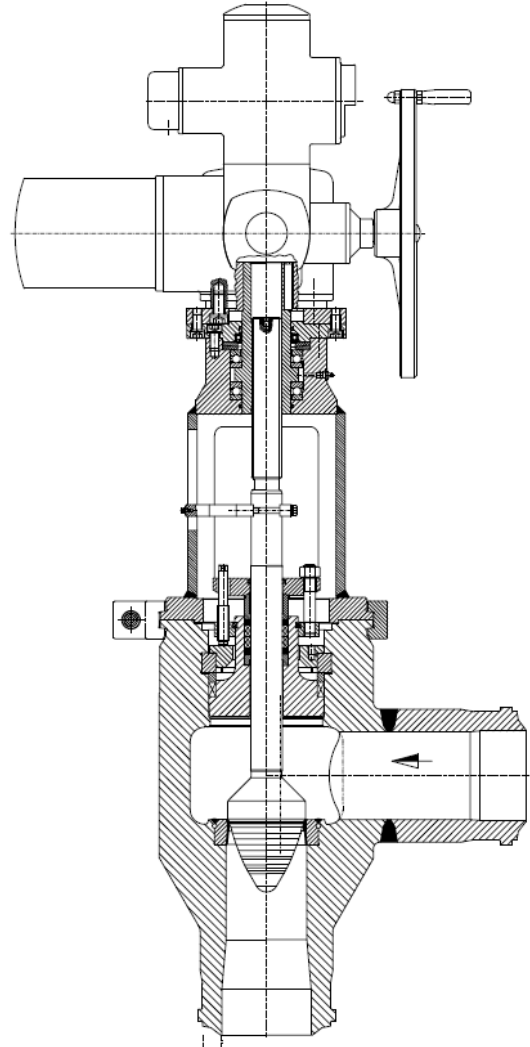


Water Control Valve type RVW

200 MW / 300 MW / 600 MW / 750 MW / 1000 MW

- High-pressure valve
- DN 50 - 400
- Flow to close plug
- Perforated plug
- Parabolic plug
- High water temp. acceptable



DN:	50 / 2" – 400 / 16" other sizes as requested
Control Range:	1:25, 1:30, 1:50 according to specifications
Control characteristic:	equal percentage
Design:	forged steel-welding construction, angle form, straight pattern, z-type
Connections:	welding ends, flanges
Actuators:	hydraulic actuators, pneumatic actuators, electric actuators according to specifications

All materials according to DIN or ANSI / ASTM. For the main parts of our valves we use standard material as listed below or according to our customer specifications.

Standard materials

Forged material:	1.0460	1.4903	1.4922	1.5415
	1.7335	1.7380		

Material according to specification!