



A-T ARMATUREN-TECHNIK GMBH



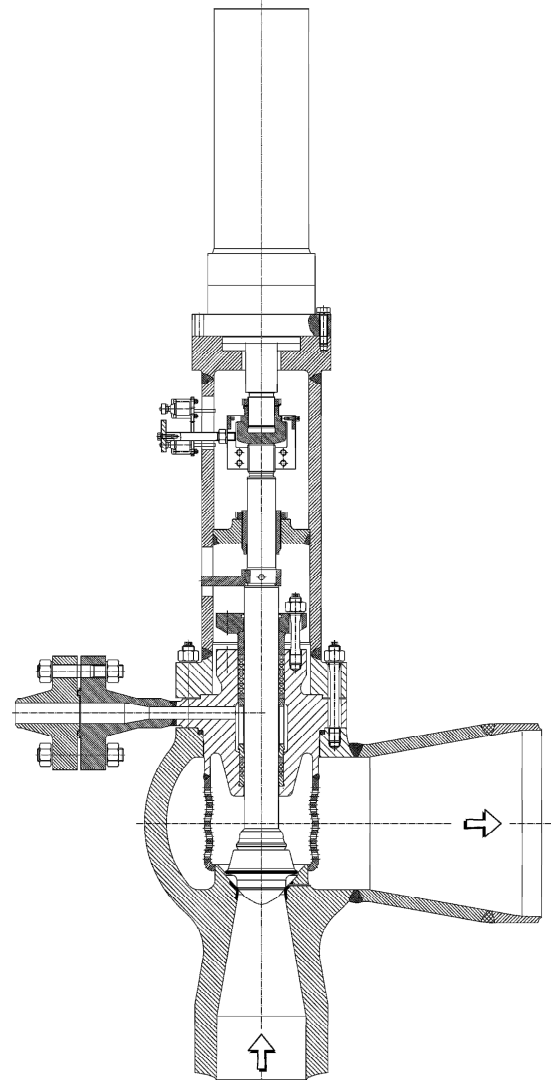
Absperr-Armaturen, Regelventile, Turbinen-Umleitsysteme für Kraftwerkstechnik, Dampfanlagen und die Verfahrenstechnik
Isolating, Control Valves and Turbine Bypass Systems for the Electric Power Industry, Steam Plant Utilities and Process Industry

Valve accord. TRD 421 type SUV

200 MW / 300 MW / 600 MW / 750 MW / 1000 MW

- High-pressure valve with safety function
- DN 80-400 inlet, 250-800 outlet
- PN 100-630
- Steam atomised spraywater
- Water injection up to 30% of steam
- Flow to open plug
- Downstream injection
- Short mixing and evaporation path
- Low water temp. acceptable
- Low spraywater pressure required

DN:	25 / 1" – 800 / 32"
PN:	100 – 630 other sizes on request
Control Range:	1:25, 1:30, 1:50 according to specifications
Control characteristic:	linear or equal percentage linear
Design:	forged steel-welding construction, angle form
Connections:	welding ends, flanges
Actuators:	hydraulic actuators, according to specifications



All materials according to DIN or ANSI / ASTM. For the main parts of our valves we use standard material as listed below or according to our customer specifications.

Standard materials

Forged material:	1.0460	1.4903	1.4922	1.5415
	1.7335	1.7380		

Material according to specification!