



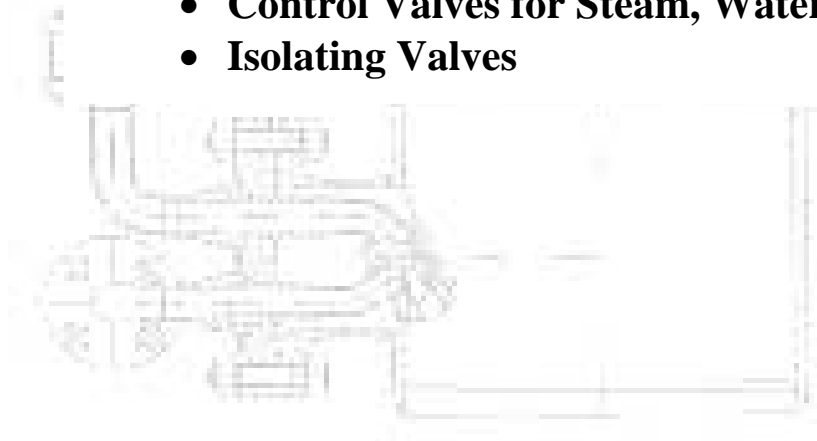
A-T ARMATUREN-TECHNIK GMBH

Oberhausen - Germany

**Welcome to our
pdf-version**

We present this version in three technical sectors

- **Turbine Bypass System and Steam Conditioning valve**
- **Control Valves for Steam, Water and Condensate**
- **Isolating Valves**





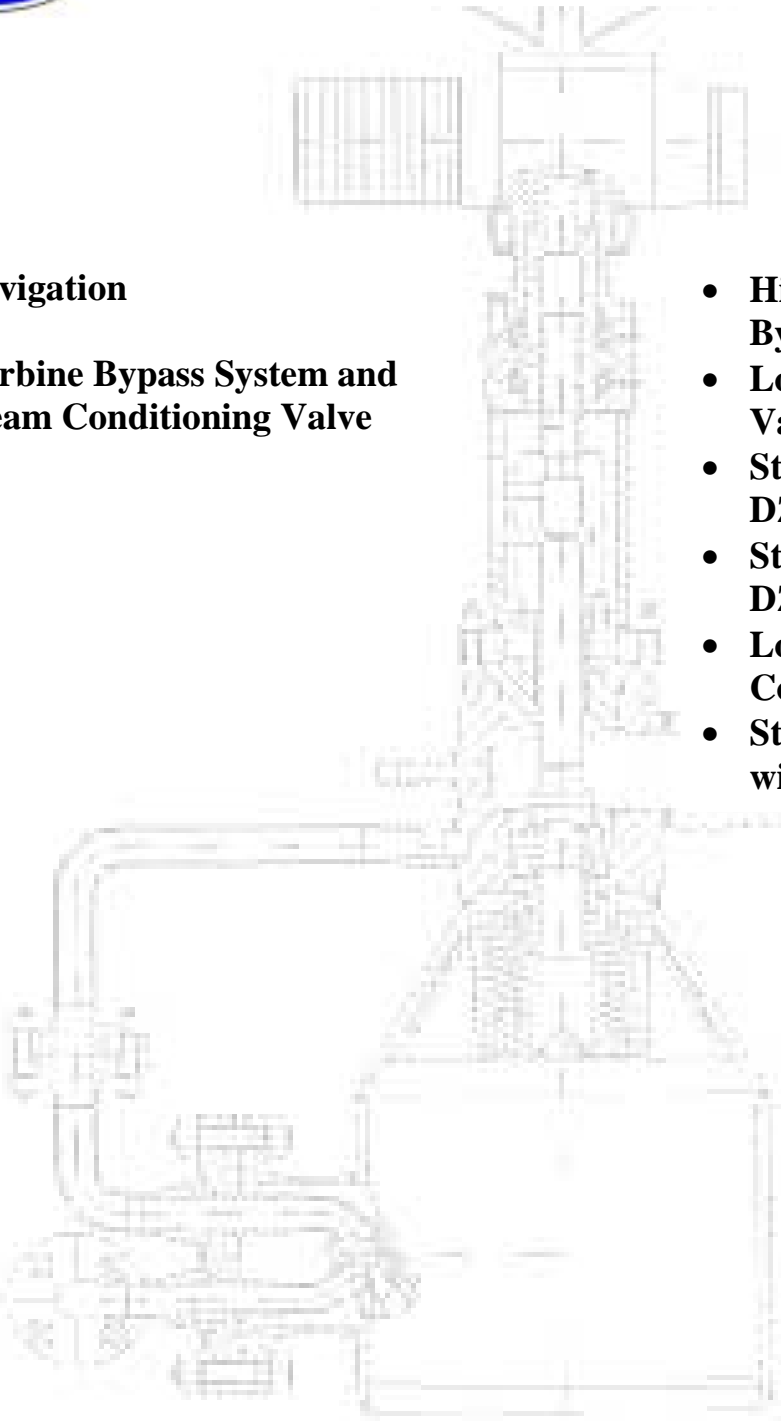
A-T ARMATUREN-TECHNIK GMBH

Oberhausen - Germany

Navigation

Turbine Bypass System and Steam Conditioning Valve

- **High Pressure Turbine Bypass Valve**
- **Low Pressure Turbine Bypass Valve**
- **Steam Conditioning Valve DZ-Z**
- **Steam Conditioning Valve DZ-E**
- **Low Noise Steam Conditioning Valve**
- **Steam Conditioning Valve with Steam Atomizing Nozzle**





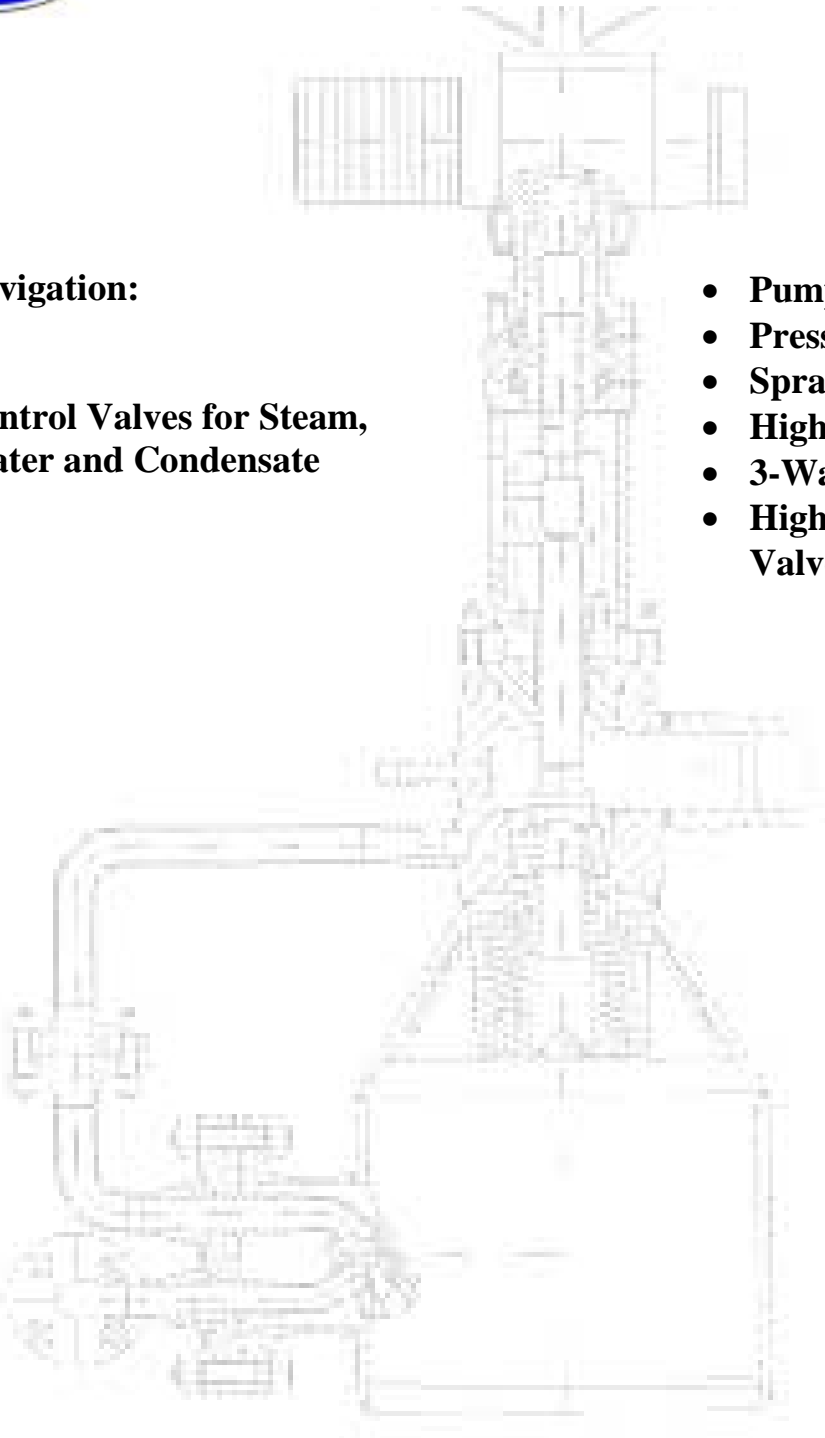
A-T ARMATUREN-TECHNIK GMBH

Oberhausen - Germany

Navigation:

**Control Valves for Steam,
Water and Condensate**

- **Pump Recirculation Valve**
- **Pressure Control Valve**
- **Spraywater Valve**
- **High Pressure Mixing Valve**
- **3-Water Inlet Valve**
- **High Pressure Parallelslide Valve**





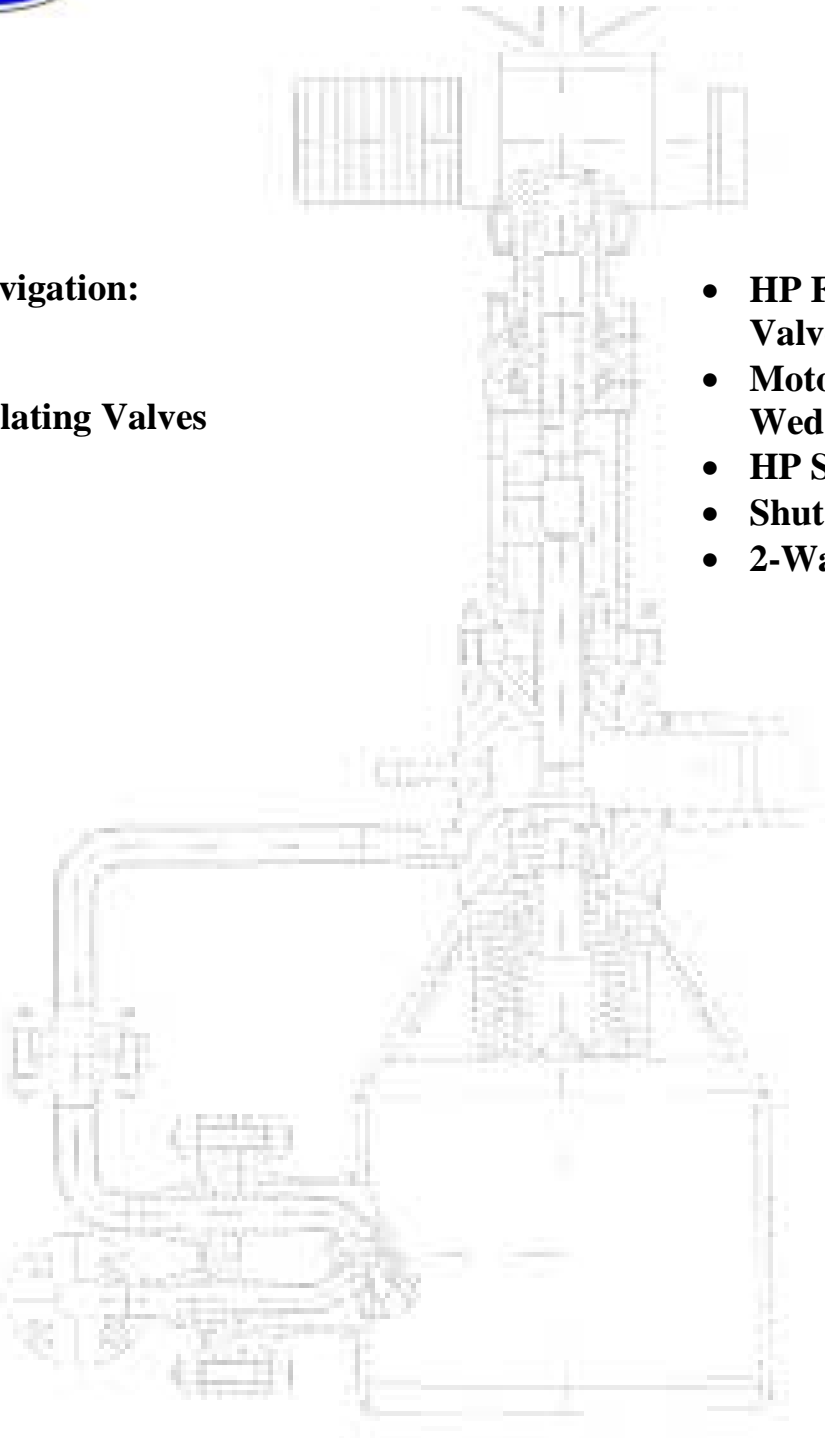
A-T ARMATUREN-TECHNIK GMBH

Oberhausen - Germany

Navigation:

Isolating Valves

- **HP Flexible Wedge Gate Valve**
- **Motor Operated Flexible Wedge Gate Valve**
- **HP Swing Check Valve**
- **Shut off Valve**
- **2-Way Outlet Valve**





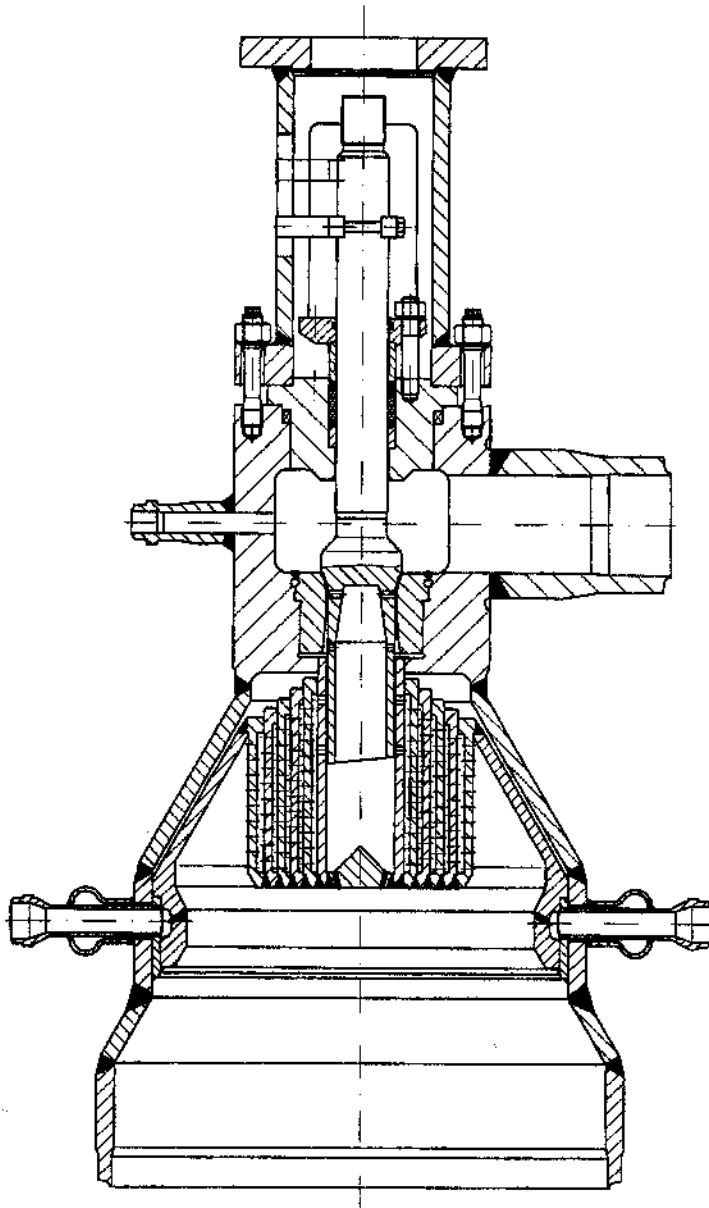
A - T ARMATUREN TECHNIK GMBH

Isolating, Control Valves and Turbine Bypass Systems for the Electric Power Industry, Steam plant Utilities and Process Industry

Dampfumformventil



Steam Conditioning Valve





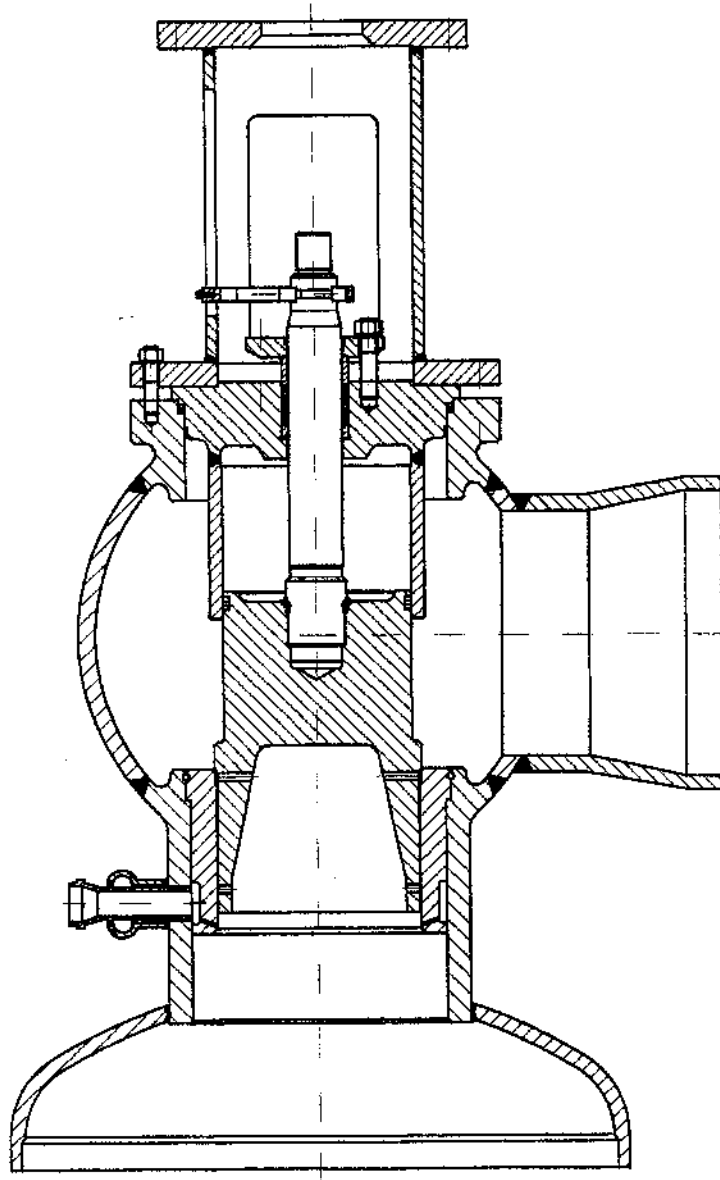
A - T ARMATUREN TECHNIK GMBH

Isolating, Control Valves and Turbine Bypass Systems for the Electric Power Industry, Steam plant Utilities and Process Industry

Dampfumformventil



Steam Conditioning Valve





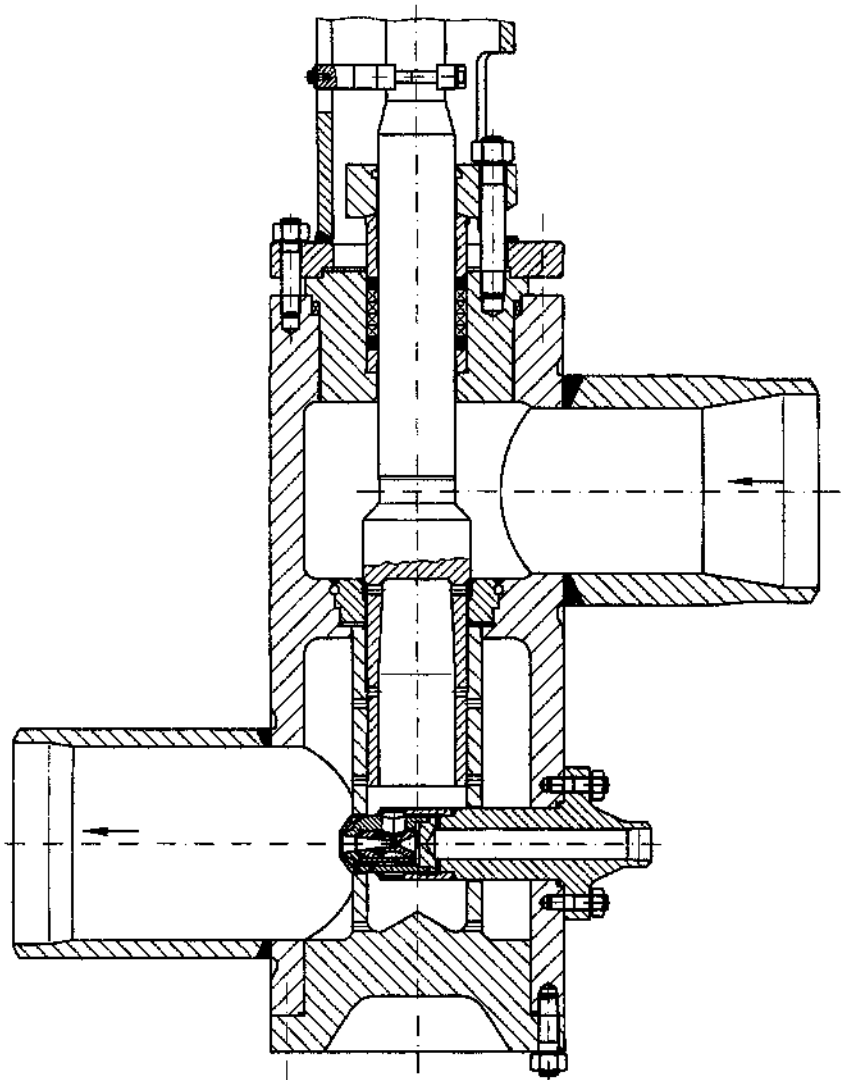
A - T ARMATUREN TECHNIK GMBH

Isolating, Control Valves and Turbine Bypass Systems for the Electric Power Industry, Steam plant Utilities and Process Industry

Dampfumformventil



Steam Conditioning Valve





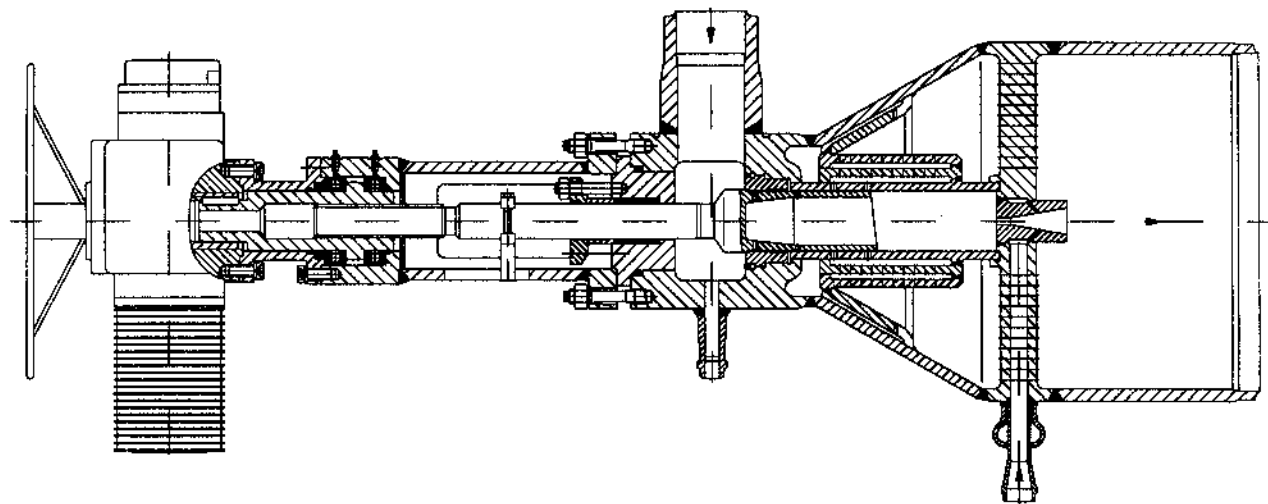
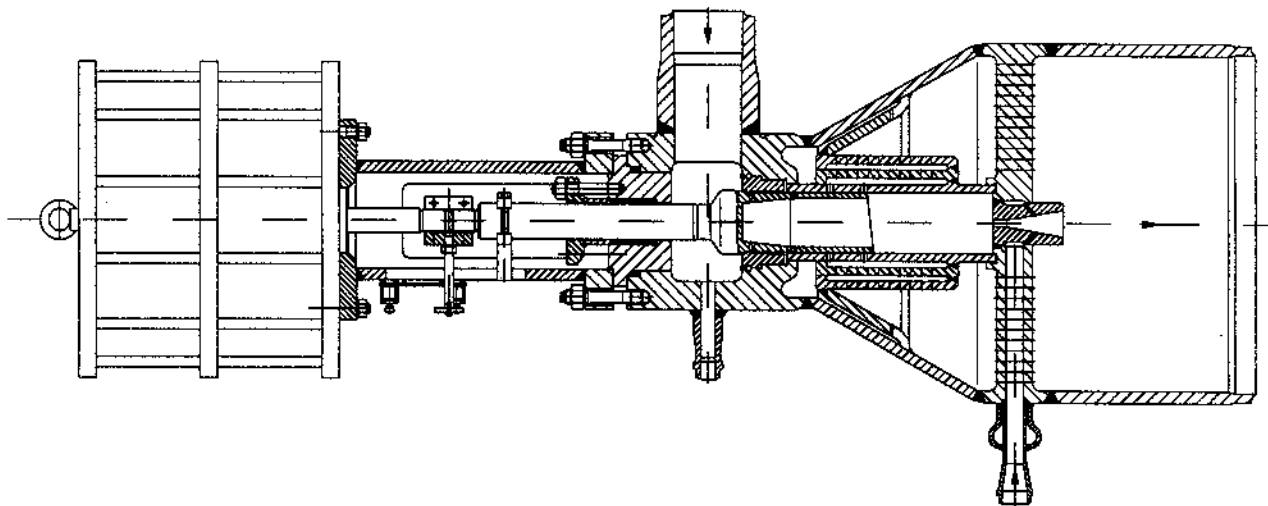
A - T ARMATUREN TECHNIK GMBH

Isolating, Control Valves and Turbine Bypass Systems for the Electric Power Industry, Steam plant Utilities and Process Industry

Dampfumformventil



Steam Conditioning Valve



A-T

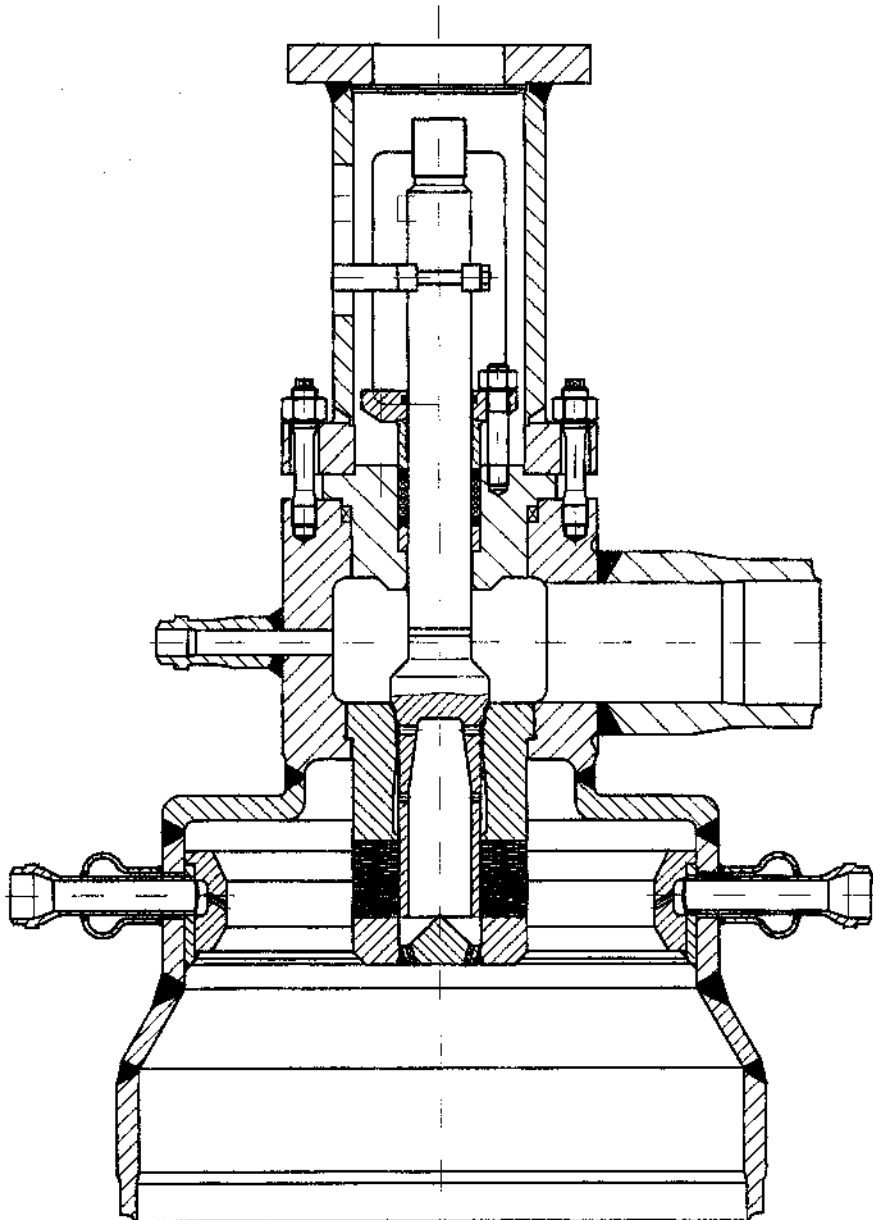
A - T ARMATUREN TECHNIK GMBH

Isolating, Control Valves and Turbine Bypass Systems for the Electric Power Industry, Steam plant Utilities and Process Industry

Dampfumformventil



Steam Conditioning Valve

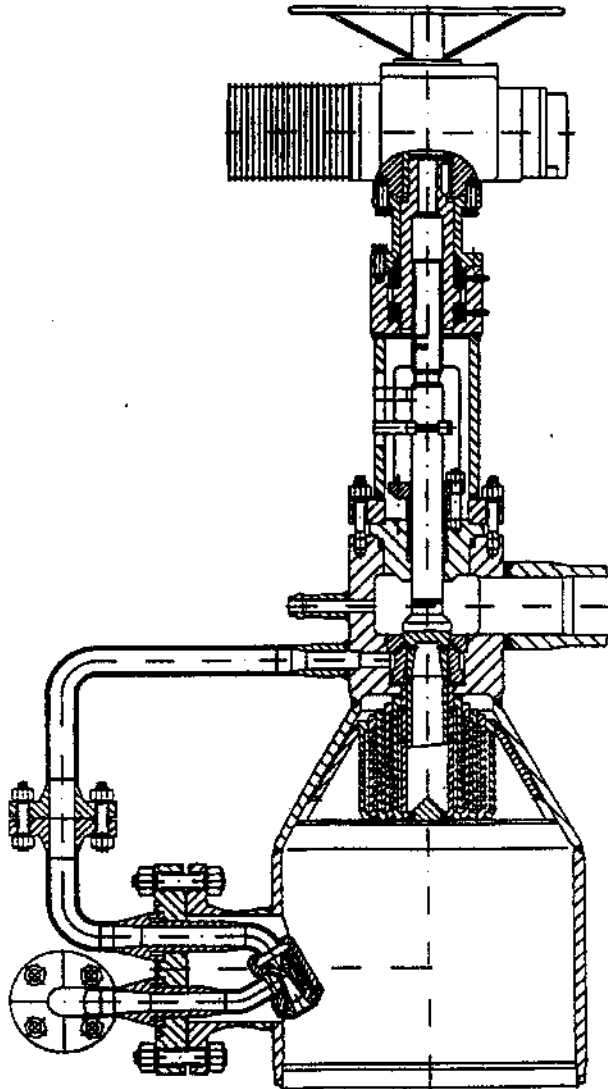




A - T ARMATUREN TECHNIK GMBH

Isolating, Control Valves and Turbine Bypass Systems for the Electric Power Industry Steam plant Utilities and Process Industry

Dampfumformventil mit Treibdampfdüse • Steam Conditioning Valve with SteamAtomizing Nozzle



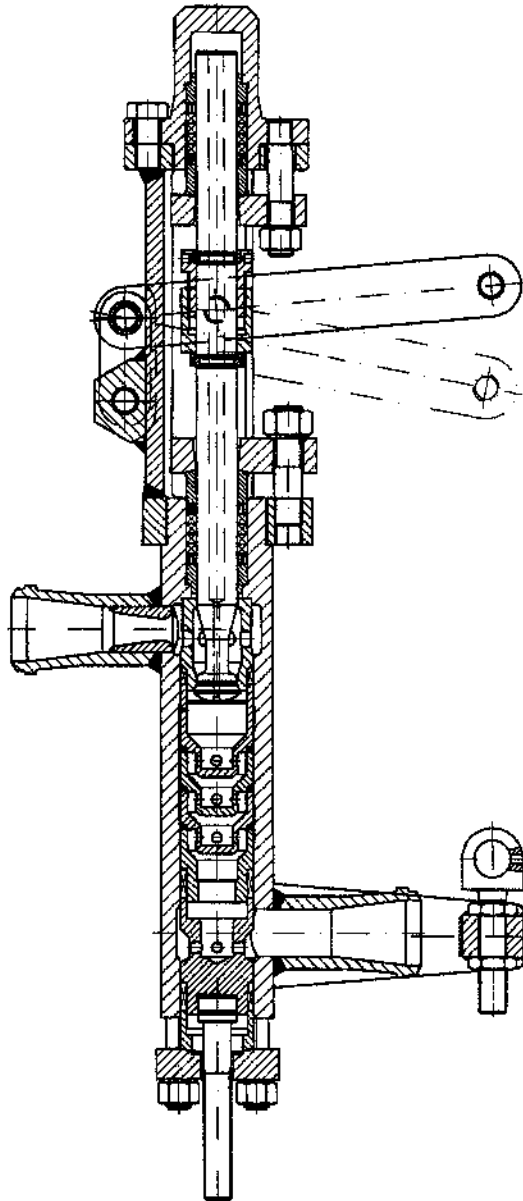


A - T ARMATUREN TECHNIK GMBH

Isolating, Control Valves and Turbine Bypass Systems for the Electric Power Industry, Steam plant Utilities and Process Industry

Mindestmengenventil

● **Pump Recirculation Valve**

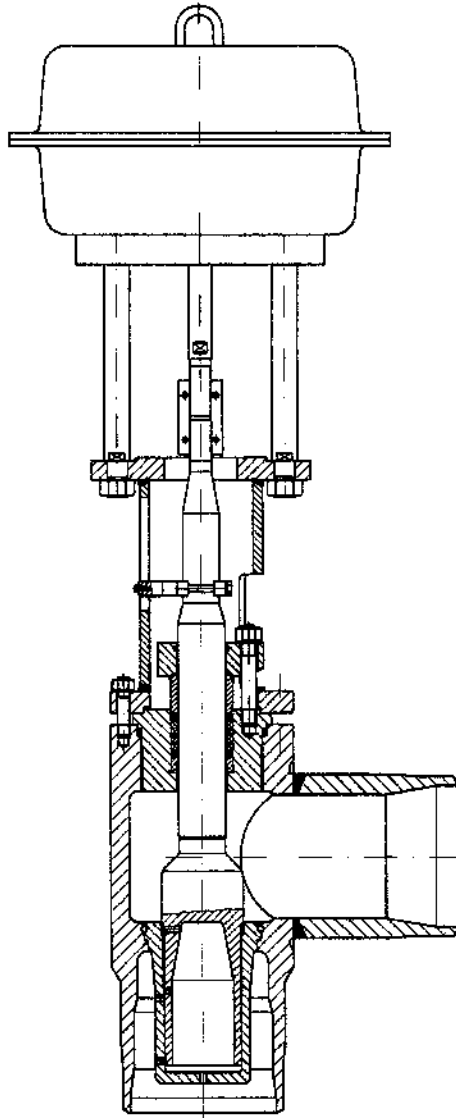


A - T ARMATUREN TECHNIK GMBH

Isolating, Control Valves and Turbine Bypass Systems for the Electric Power Industry, Steam plant Utilities and Process Industry

Druckregelventil

● **Pressure Control Valve**



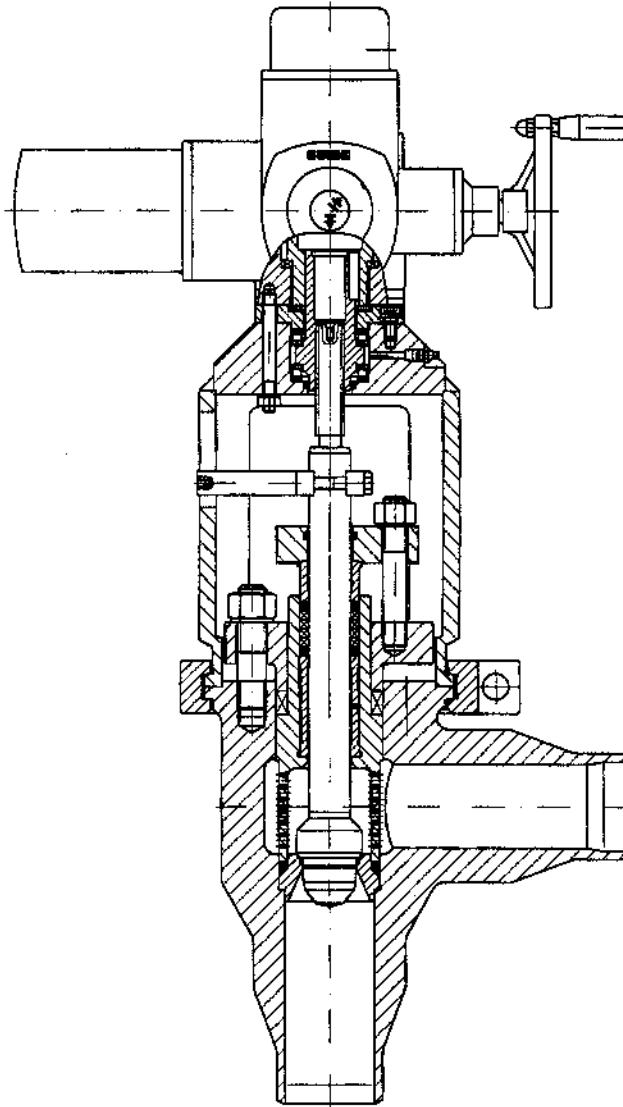


A - T ARMATUREN TECHNIK GMBH

Isolating, Control Valves and Turbine Bypass Systems for the Electric Power Industry, Steam plant Utilities and Process Industry

Einspritzwasserventil

● **Spraywater Valve**



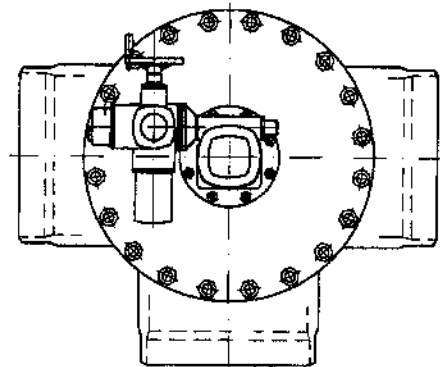
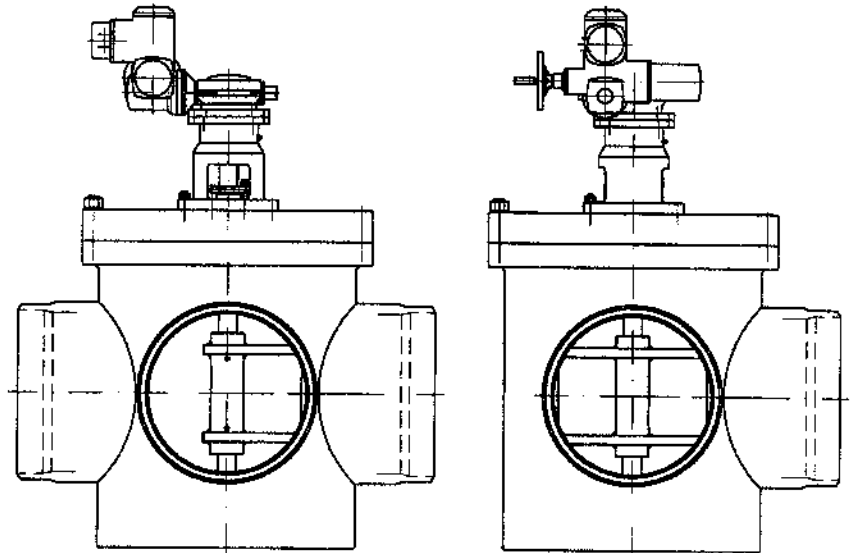


A - T ARMATUREN TECHNIK GMBH

Isolating, Control Valves and Turbine Bypass Systems for the Electric Power Industry, Steam plant Utilities and Process Industry

Hochdruck Mischschieber

● **High Pressure Mixing Valve**



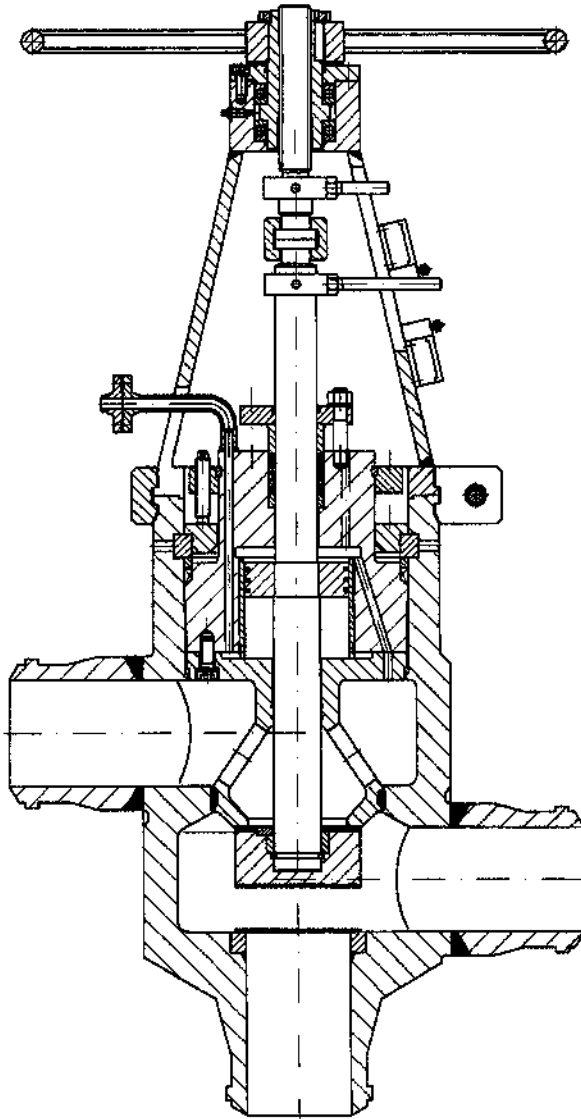


A - T ARMATUREN TECHNIK GMBH

Isolating, Control Valves and Turbine Bypass Systems for the Electric Power Industry, Steam plant Utilities and Process Industry

Umschalt Ventil

● **3-Way Inlet Valve**





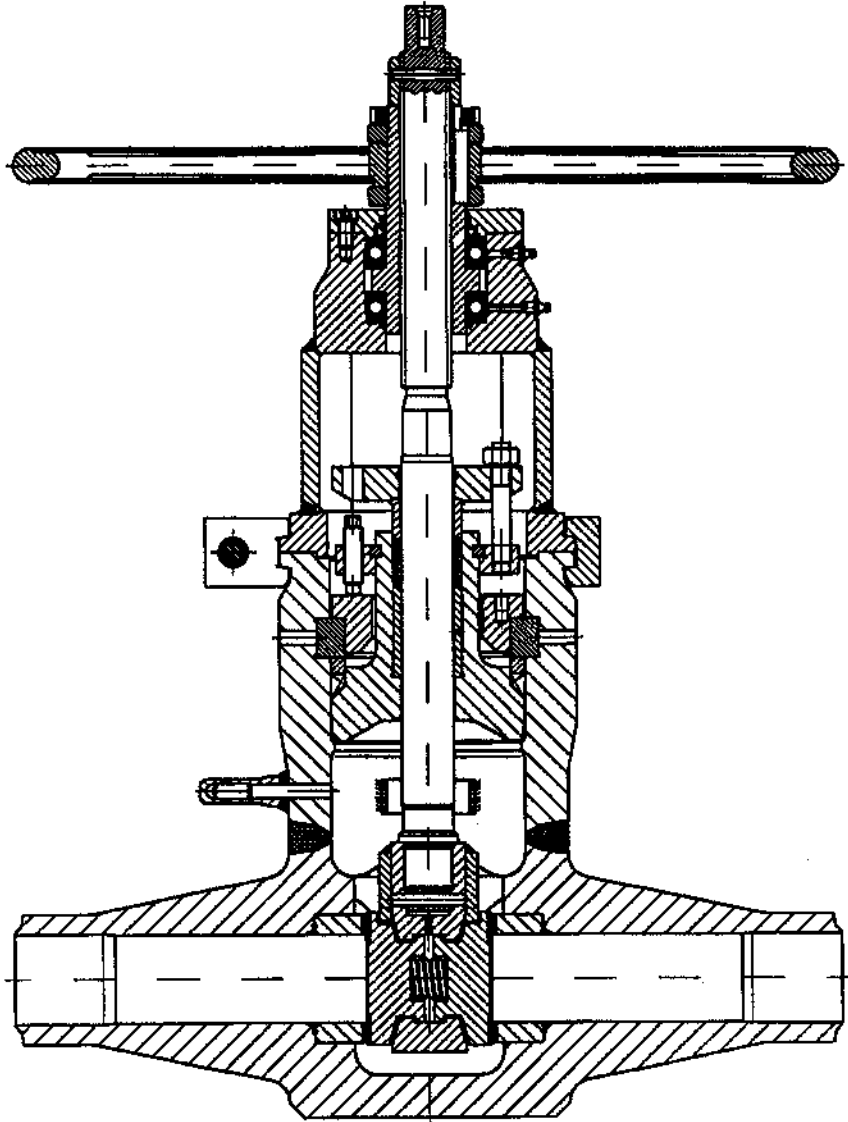
A - T ARMATUREN TECHNIK GMBH

Isolating, Control Valves and Turbine Bypass Systems for the Electric Power Industry Steam plant Utilities and Process Industry

Hochdruck Parallelschieber



High Pressure Parallelslide Valve



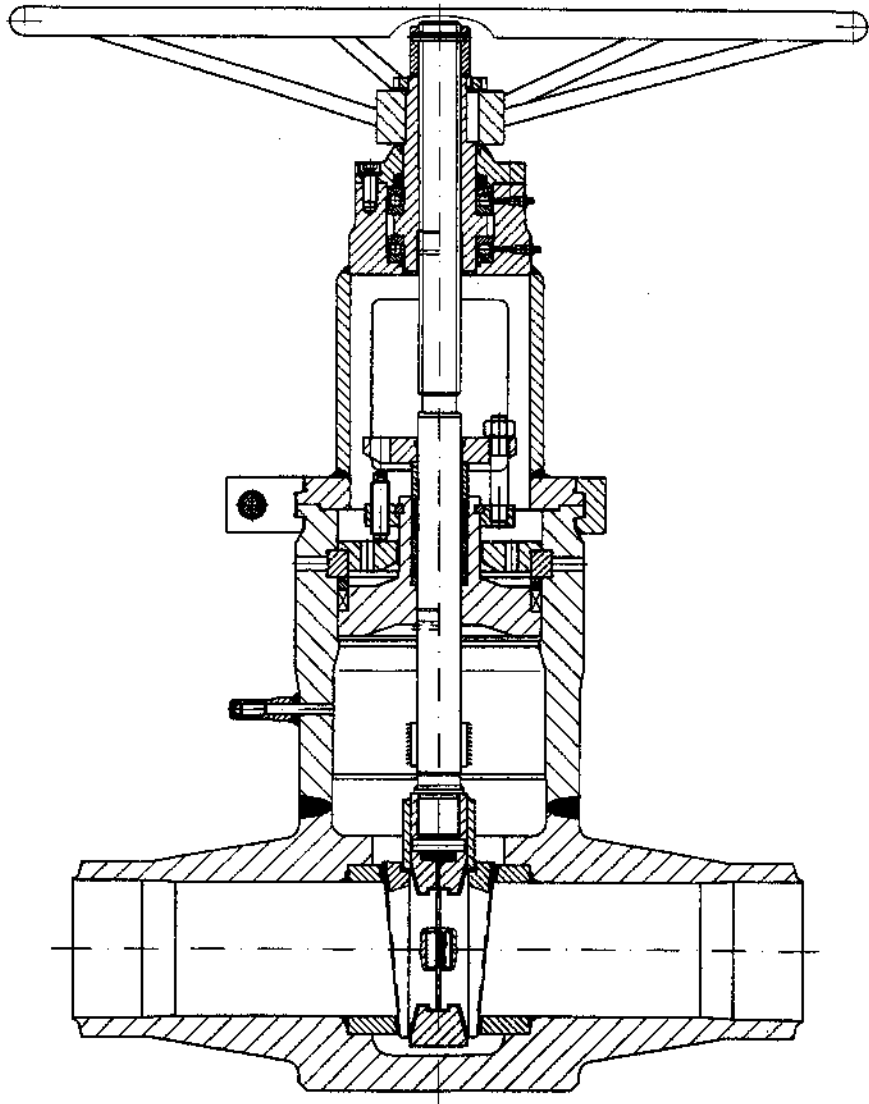


A - T ARMATUREN TECHNIK GMBH

Isolating, Control Valves and Turbine Bypass Systems for the Electric Power Industry, Steam plant Utilities and Process Industry

Hochdruck Keilplattenschieber

● **High Pressure Flexible Wedge Gate Valve**



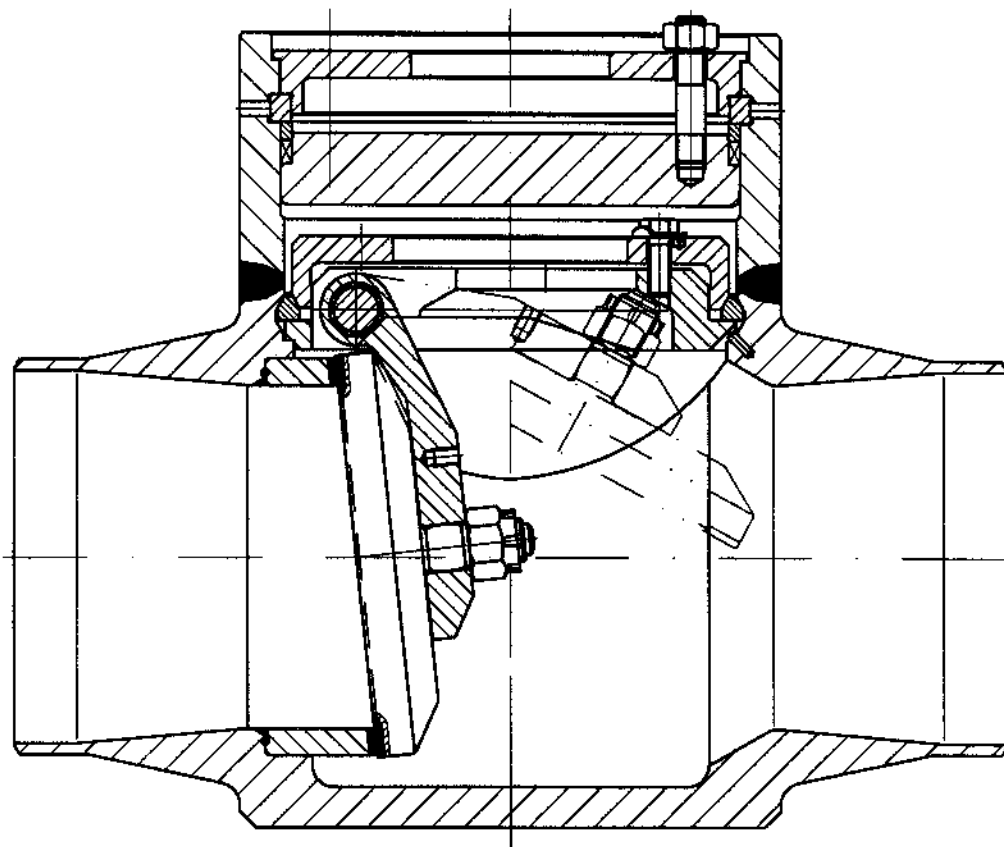


A - T ARMATUREN TECHNIK GMBH

Isolating, Control Valves and Turbine Bypass Systems for the Electric Power Industry, Steam plant Utilities and Process Industry

Hochdruck Rückschlagklappe

● **High Pressure Swing Check Valve**



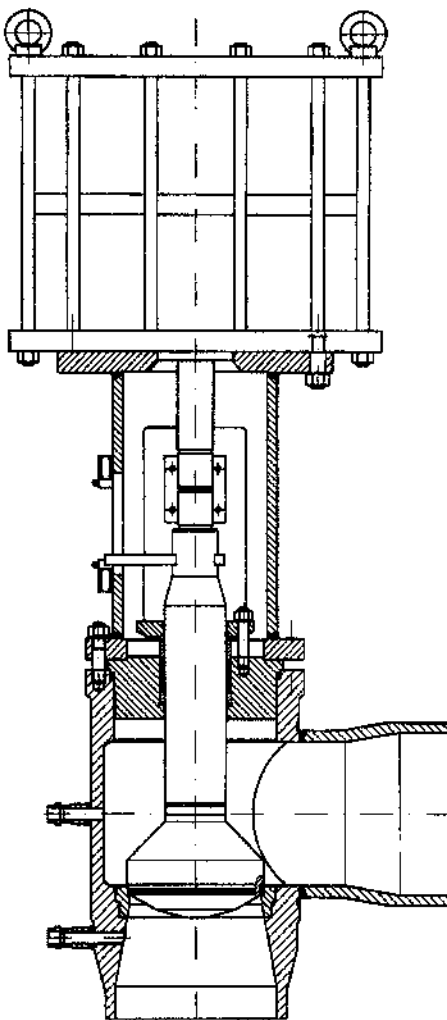


A - T ARMATUREN TECHNIK GMBH

Isolating, Control Valves and Turbine Bypass Systems for the Electric Power Industry, Steam plant Utilities and Process Industry

Absperrventil

● **Shut Off Valve**



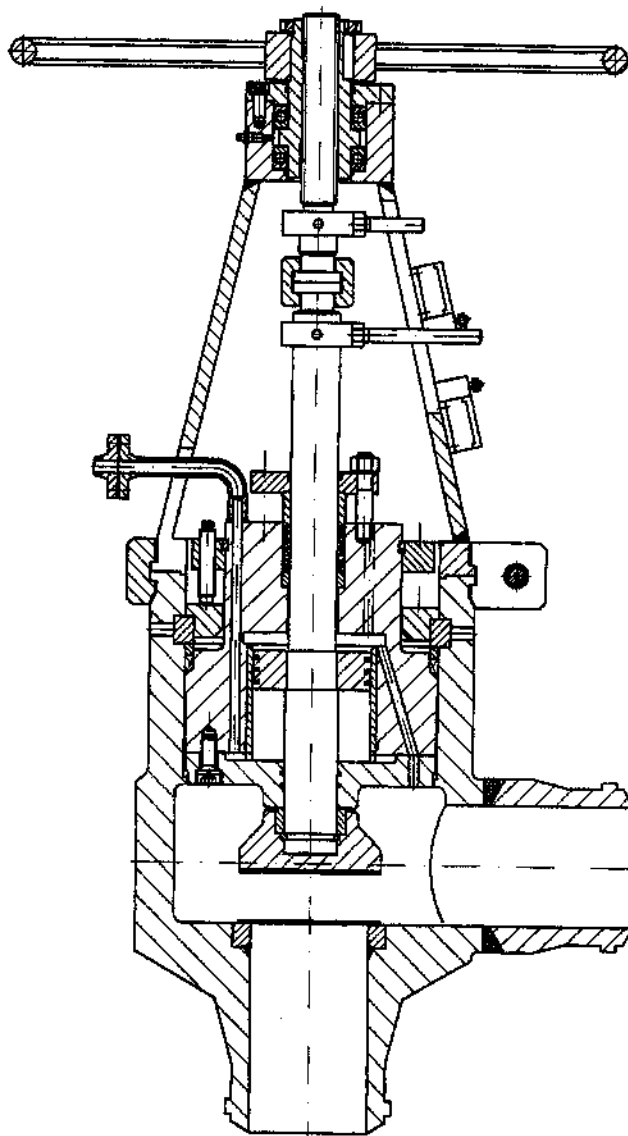


A - T ARMATUREN TECHNIK GMBH

Isolating, Control Valves and Turbine Bypass Systems for the Electric Power Industry, Steam plant Utilities and Process Industry

Schnellschluß Ventil

● **2-Way Outlet Valve**



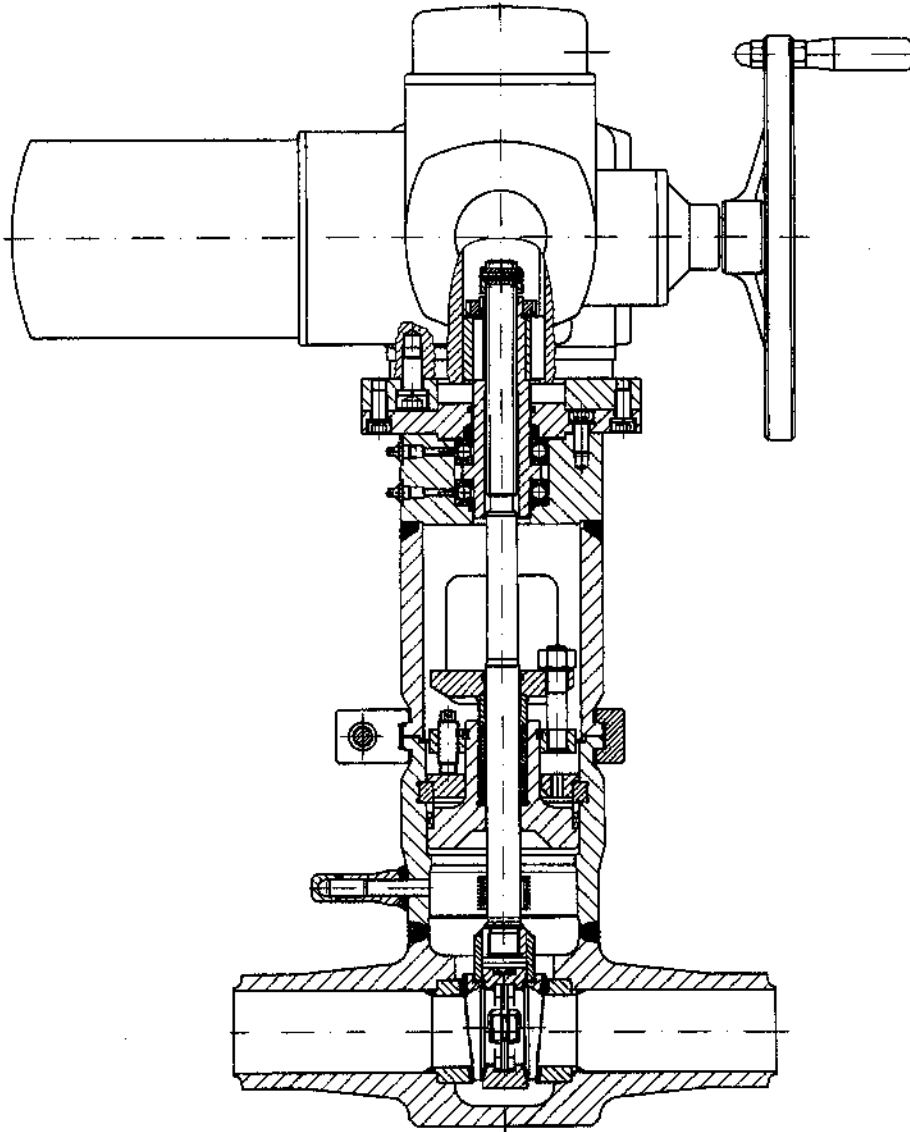


A - T ARMATUREN TECHNIK GMBH

Isolating, Control Valves and Turbine Bypass Systems for the Electric Power Industry, Steam plant Utilities and Process Industry

Keilplattenschieber mit E-Antrieb

● Motor Operated Flexible Wedge Gate Valve





A-T ARMATUREN-TECHNIK GMBH

Oberhausen - Germany

Datenblatt

Produkt	Druckstufe	Nennweite	Gehäuse Werkstoff
Hochdruck Turbinen Ventil	PN 100 – PN 630	Eintritt bis DN400 Austritt bis DN800	Geschmiedet Warmfester Stahl
Niederdruck Turbinen Ventil	Max. PN 160	Eintritt bis DN800 Austritt bis DN1500	Geschmiedet Warmfester Stahl
Dampfumformventil DZ-Z	PN 100 – PN 630	Eintritt bis DN400 Austritt bis DN800	Geschmiedet Warmfester Stahl
Dampfumformventil DZ-E	PN 100 – PN 630	Eintritt bis DN400 Austritt bis DN1200	Geschmiedet Warmfester Stahl
Geräuscharmes Dampfumformventil	PN 100 – PN 630	Eintritt bis DN400 Austritt bis DN800	Geschmiedet Warmfester Stahl
Dampfumformventil mit Treibdampfdüse	PN 100- PN 630	Eintritt bis DN400 Austritt bis DN800	Geschmiedet Warmfester Stahl
Mindestmengenventil	PN 100 – PN 400	DN 100 – 500	Geschmiedet Warmfester Stahl
Druckregelventil	PN 100 – PN 400	Eintritt bis DN 400 Austritt bis DN 1200	Geschmiedet Warmfester Stahl
Einspritzwasserventil	PN 100 – PN 400	DN 15 – 150	Geschmiedet Warmfester Stahl
Hochdruck Mischschieber	PN 100 – PN 400	DN 80 – 600	Geschmiedet Warmfester Stahl



A-T ARMATUREN-TECHNIK GMBH

Oberhausen - Germany

Umschalt Ventil	PN 100 – PN 400	DN 100 – 500	Geschmiedet Warmfester Stahl
Hochdruck Parallelschieber	PN 100 – PN 630	DN 80 – 800	Geschmiedet Warmfester Stahl Edelstahl und Duplex
Hochdruck Keilplattenschieber	PN 100 – PN 630	DN 80 – 800	Geschmiedet Warmfester Stahl Edelstahl und Duplex
Keilplattenschieber mit E- Antrieb	PN 100 – PN 630	DN 80 – 800	Geschmiedet Warmfester Stahl Edelstahl und Duplex Stahl
Hochdruck Rückschlagklappe	PN 100 – PN 630	DN 80 – 800	Geschmiedet Warmfester Stahl Edelstahl und Duplex Stahl
Absperrventil	PN 100 – PN 400	DN 100 – 800	Geschmiedet Warmfester Stahl
Schnellschluß Ventil	PN 100 – PN 400	DN 100 – DN 500	Geschmiedet Warmfester Stahl

.....

Your address:

Telefax

To: A-T ARMATUREN-TECHNIK
GMBH –Oberhausen- Germany

Fax: +49-2853-918350

From:

Date:

Subject:

Pages:

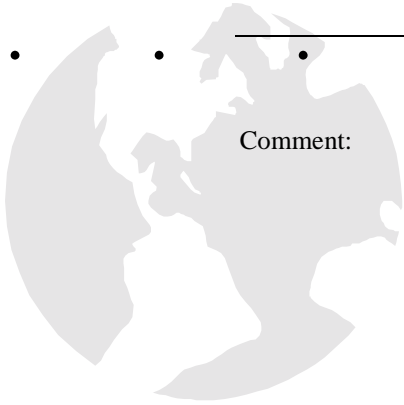
CC:

Pressing

For Settlement

For Attitude

Thanks back



.....
Comment:

.....